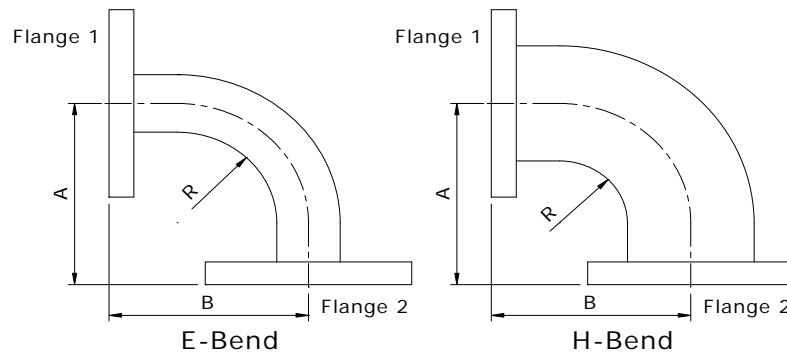


2 Waveguide Bend

Vector Telecom offers a standard product line of E-bends and H-bends covering waveguide sizes WR10 thru WR430. Multi-degrees, additional sizes, configurations and combinations are available on request.



2.1 Waveguide Bend



【Specifications】

Model No*	Freq Range (GHz)	VSWR (Max)	Std Dimensions AxB (mm)**	WG Type		Flange	Material
				IEC	EIA		
VT22WEB...	1.72-2.61	1.10	150X150	R22	WR430	FDP/FDM	Al
VT22WHB...	1.72-2.61	1.10	150X150	R22	WR430	FDP/FDM	Al
VT26WEB...	2.17-3.30	1.10	100X100	R26	WR340	FDP/FDM	Al
VT26WHB...	2.17-3.30	1.10	180X180	R26	WR340	FDP/FDM	Al
VT32WEB...	2.60-3.95	1.10	100X100	R32	WR284	FDP/FDM	Al
VT32WHB...	2.60-3.95	1.10	150X150	R32	WR284	FDP/FDM	Al
VT40WEB...	3.22-4.90	1.10	80X80	R40	WR229	FDP/FDM	Al
VT40WHB...	3.22-4.90	1.10	100X100	R40	WR229	FDP/FDM	Al
VT48WEB...	3.94-5.99	1.10	80X80	R48	WR187	FDP/FDM	Al
VT48WHB...	3.94-5.99	1.10	80X80	R48	WR187	FDP/FDM	Al
VT58WEB...	4.64-7.05	1.10	80X80	R58	WR159	FDP/FDM	Al
VT58WHB...	4.64-7.05	1.10	80X80	R58	WR159	FDP/FDM	Al
VT70WEB...	5.38-8.17	1.10	50X50	R70	WR137	FDP/FDM	Cu
VT70WHB...	5.38-8.17	1.10	70X70	R70	WR137	FDP/FDM	Cu
VT84WEB...	6.57-9.99	1.10	50X50	R84	WR112	FBP/FBM	Cu
VT84WHB...	6.57-9.99	1.10	70X70	R84	WR112	FBP/FBM	Cu
VT100WEB...	8.20-12.40	1.10	40X40	R100	WR90	FBP/FBM	Cu
VT100WHB...	8.20-12.40	1.10	50X50	R100	WR90	FBP/FBM	Cu
VT120WEB...	9.84-15.0	1.10	40X40	R120	WR75	FBP/FBM	Cu
VT120WHB...	9.84-15.0	1.10	40X40	R120	WR75	FBP/FBM	Cu
VT140WEB...	11.9-18.0	1.10	40X40	R140	WR62	FBP/FBM	Cu

02

Waveguide Bend



VectorTelecomPtyLtd

Website: www.vectortele.com

Email: sales@vectortele.com



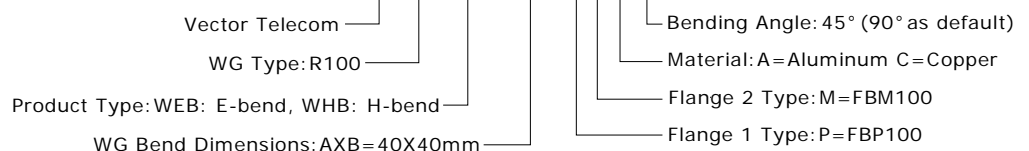
Model No*	Freq Range (GHz)	VSWR (Max)	Std Dimensions AxB (mm)**	WG Type		Flange	Material
				IEC	EIA		
VT140WHB...	11.9-18.0	1.10	40X40	R140	WR62	FBP/FBM	Cu
VT180WEB...	14.5-22.0	1.10	30X30	R180	WR51	FBP/FBM	Cu
VT180WHB...	14.5-22.0	1.10	30X30	R180	WR51	FBP/FBM	Cu
VT220WEB...	17.6-26.7	1.10	30X30	R220	WR42	FBP/FBM	Cu
VT220WHB...	17.6-26.7	1.10	30X30	R220	WR42	FBP/FBM	Cu
VT260WEB...	21.7-33.0	1.15	30X30	R260	WR34	FBP/FBM	Cu
VT260WHB...	21.7-33.0	1.15	30X30	R260	WR34	FBP/FBM	Cu
VT320WEB...	26.5-40.0	1.15	30X30	R320	WR28	FBP/FBM	Cu
VT320WHB...	26.5-40.0	1.15	30X30	R320	WR28	FBP/FBM	Cu
VT400WEB...	32.9-50.1	1.15	30X30	R400	WR22	FUGP	Cu
VT400WHB...	32.9-50.1	1.15	30X30	R400	WR22	FUGP	Cu
VT500WEB...	39.2-59.6	1.15	30X30	R500	WR19	FUGP	Cu
VT500WHB...	39.2-59.6	1.15	30X30	R500	WR19	FUGP	Cu
VT620WEB...	49.8-75.8	1.15	30X30	R620	WR15	FUGP	Cu
VT620WHB...	49.8-75.8	1.15	30X30	R620	WR15	FUGP	Cu
VT740WEB...	60.5-91.9	1.15	30X30	R740	WR12	FUGP	Cu
VT740WHB...	60.5-91.9	1.15	30X30	R740	WR12	FUGP	Cu
VT900WEB...	73.8-110	1.15	30X30	R900	WR10	FUGP	Cu
VT900WHB...	73.8-110	1.15	30X30	R900	WR10	FUGP	Cu
VT1200WEB...	92.2-140	-	20X20	R1200	WR8	FUGP	Cu
VT1200WHB...	92.2-140	-	20X20	R1200	WR8	FUGP	Cu
VT1400WEB...	113-173	-	20X20	R1400	WR7	FUGP	Cu
VT1400WHB...	113-173	-	20X20	R1400	WR7	FUGP	Cu
VT1800WEB...	145-220	-	20X20	R1800	WR5	FUGP	Cu
VT1800WHB...	145-220	-	20X20	R1800	WR5	FUGP	Cu
VT2200WEB...	172-261	-	20X20	R2200	WR4	FUGP	Cu
VT2200WHB...	172-261	-	20X20	R2200	WR4	FUGP	Cu
VT2600WEB...	217-330	-	20X20	R2600	WR3	FUGP	Cu
VT2600WHB...	217-330	-	20X20	R2600	WR3	FUGP	Cu

*Indicates Model Number. See Ordering Information for complete part number.

**Legs (A,B) available in other sizes. Consult sales engineer for more information.

【Ordering Information】

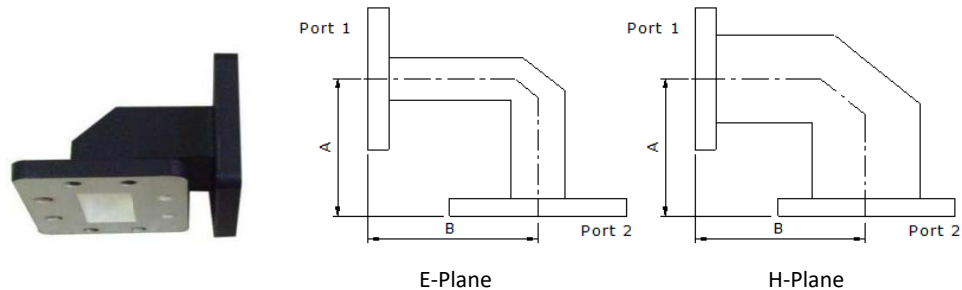
Example Part No: VT 100 WEB 40X40 P M A 45





- Flange type: Multiple types available - see VT Flanges page
- Finish: Corrosion protection plus black top coat
- Bends other than 90 available on request

2.2 Waveguide Miter Bend



【Specifications】

Model No*	Freq Range (GHz)	Operating Bandwidth	VSWR (Max)	Std Dimensions A×B(mm)**	WG Type		Flange	Material
					IEC	EIA		
VT3WTEBA×B...	0.32-0.49	Full band	1.15	220×220	R3	WR2300	FDP/FDM	Al
VT3WTHBA×B...	0.32-0.49	≤15%	1.15	350×650	R4	WR2300	FDP/FDM	Al
VT4WTEBA×B...	0.35-0.53	Full band	1.15	200×200	R5	WR2100	FDP/FDM	Al
VT4WTHBA×B...	0.35-0.53	≤15%	1.15	330×330	R6	WR2100	FDP/FDM	Al
VT5WTEBA×B...	0.41-0.62	Full band	1.15	180×180	R8	WR1800	FDP/FDM	Al
VT5WTHBA×B...	0.41-0.62	≤15%	1.15	300×300	R9	WR1800	FDP/FDM	Al
VT6WTEBA×B...	0.49-0.75	Full band	1.15	150×150	R12	WR1500	FDP/FDM	Al
VT6WTHBA×B...	0.49-0.75	≤15%	1.15	240×240	R14	WR1500	FDP/FDM	Al
VT8WTEBA×B...	0.64-0.98	Full band	1.15	130×130	R18	WR1150	FDP/FDM	Al
VT8WTHBA×B...	0.64-0.98	≤15%	1.15	220×220	R22	WR1150	FDP/FDM	Al
VT9WTEBA×B...	0.75-1.15	Full band	1.15	120×120	R26	WR975	FDP/FDM	Al
VT9WTHBA×B...	0.75-1.15	≤15%	1.15	200×200	R40	WR975	FDP/FDM	Al
VT12WTEBA×B...	0.96-1.46	Full band	1.15	110×110	R48	WR770	FDP/FDM	Al
VT12WTHBA×B...	0.96-1.46	≤15%	1.15	160×160	R3	WR770	FDP/FDM	Al
VT14WTEBA×B...	1.13-1.73	Full band	1.15	100×100	R4	WR650	FDP/FDM	Al
VT14WTHBA×B...	1.13-1.73	≤15%	1.15	140×140	R5	WR650	FDP/FDM	Al
VT18WTEBA×B...	1.45-2.20	Full band	1.15	90×90	R6	WR510	FDP/FDM	Al
VT18WTHBA×B...	1.45-2.20	≤15%	1.15	120×120	R8	WR510	FDP/FDM	Al
VT22WTEBA×B...	1.72-2.61	Full band	1.15	70×70	R22	WR430	FDP/FDM	Al
VT22WTHBA×B...	1.72-2.61	≤15%	1.15	100×100	R22	WR430	FDP/FDM	Al
VT26WTEBA×B...	2.17-3.30	Full band	1.15	70×70	R26	WR340	FDP/FDM	Al
VT26WTHBA×B...	2.17-3.30	≤15%	1.15	100×100	R26	WR340	FDP/FDM	Al
VT32WTEBA×B...	2.60-3.95	Full band	1.15	60×60	R32	WR284	FDP/FDM	Al
VT32WTHBA×B...	2.60-3.95	≤15%	1.15	65×65	R32	WR284	FDP/FDM	Al
VT40WTEBA×B...	3.22-4.90	Full band	1.15	45×45	R40	WR229	FDP/FDM	Al



Section 1

Waveguide Components

02

Waveguide Bend



VectorTelecomPtyLtd

Website: www.vectortele.com

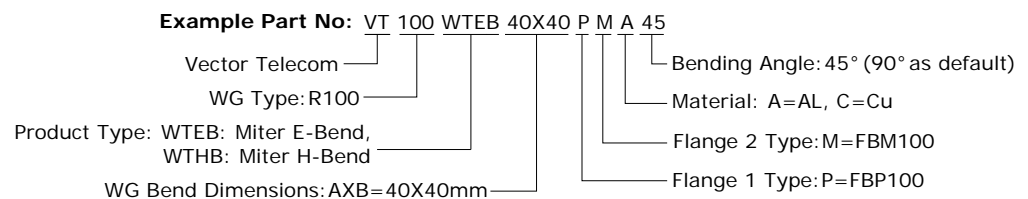
Email: sales@vectortele.com

Model No*	Freq Range (GHz)	Operating Bandwidth	VSWR (Max)	Std Dimensions AxB(mm)**	WG Type		Flange	Material
					IEC	EIA		
VT40WTHBAxB...	3.22-4.90	≤15%	1.15	60×60	R40	WR229	FDP/FDM	Al
VT48WTEBAxB...	3.94-5.99	Full band	1.15	45×45	R48	WR187	FDP/FDM	Al
VT48WTHBAxB...	3.94-5.99	≤15%	1.15	60×60	R48	WR187	FDP/FDM	Al
VT58WTEBAxB...	4.64-7.05	Full band	1.15	40×40	R58	WR159	FDP/FDM	Al
VT58WTHBAxB...	4.64-7.05	≤15%	1.15	50×50	R58	WR159	FDP/FDM	Al
VT40WTHBAxB...	3.22-4.90	≤15%	1.15	60×60	R40	WR229	FDP/FDM	Al
VT48WTEBAxB...	3.94-5.99	Full band	1.15	45×45	R48	WR187	FDP/FDM	Al
VT48WTHBAxB...	3.94-5.99	≤15%	1.15	60×60	R48	WR187	FDP/FDM	Al
VT58WTEBAxB...	4.64-7.05	Full band	1.15	40×40	R58	WR159	FDP/FDM	Al
VT58WTHBAxB...	4.64-7.05	≤15%	1.15	50×50	R58	WR159	FDP/FDM	Al
VT70WTEBAxB...	5.38-8.17	Full band	1.15	35×35	R70	WR137	FDP/FDM	Cu
VT84WTEBAxB...	6.57-9.99	Full band	1.15	30×30	R84	WR112	FBP/FBM	Cu
VT84WTHBAxB...	6.57-9.99	≤15%	1.15	40×40	R84	WR112	FBP/FBM	Cu
VT100WTEBAxB...	8.20-12.40	Full band	1.15	25×25	R100	WR90	FBP/FBM	Cu
VT100WTHBAxB...	8.20-12.4	≤15%	1.15	30×30	R100	WR90	FBP/FBM	Cu
VT120WTEBAxB...	9.84-15.0	Full band	1.15	25×25	R120	WR75	FBP/FBM	Cu
VT120WTHBAxB...	9.84-15.0	≤15%	1.15	30×30	R120	WR75	FBP/FBM	Cu
VT140WTEBAxB...	11.9-18.0	Full band	1.15	20×20	R140	WR62	FBP/FBM	Cu
VT140WTHBAxB...	11.9-18.0	≤15%	1.15	25×25	R140	WR62	FBP/FBM	Cu
VT180WTEBAxB...	14.5-22.0	Full band	1.15	20 X20	R180	WR51	FBP/FBM	Cu
VT180WTHBAxB...	14.5-22.0	≤15%	1.15	25 X25	R180	WR51	FBP/FBM	Cu
VT220WTEBAxB...	17.6-26.7	Full band	1.15	15 X15	R220	WR42	FBP/FBM	Cu
VT220WTHBAxB...	17.6-26.7	≤10%	1.15	20 X20	R220	WR42	FBP/FBM	Cu
VT260WTEBAxB...	21.7-33.0	Full band	1.15	15 X15	R260	WR34	FBP/FBM	Cu
VT260WTHBAxB...	21.7-33.0	≤10%	1.15	20 X20	R260	WR34	FBP/FBM	Cu
VT320WTEBAxB...	26.5-40.0	Full band	1.15	12 X12	R320	WR28	FBP/FBM	Cu
VT320WTHBAxB...	26.5-40.0	≤10%	1.15	18 X18	R320	WR28	FBP/FBM	Cu

*Indicates Model Number. See Ordering Information for complete part number.

**Legs (A,B) available in other sizes. Consult sales engineer for more information.

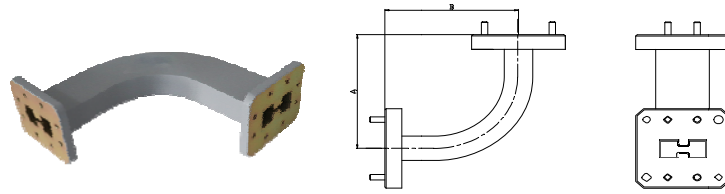
【Ordering Information】



- Flange type: Multiple types available - see VT Flanges page
- Finish: Corrosion protection plus black top coat
- Bends other than 90 available on request



2.3 Double Ridged Waveguide Bend



【Specifications】

Model No*	Freq Range (GHz)	VSWR (Max)	Std Dimensions AxB (mm)**	WG Type	Flange	Material
				IEC		
VT84DRWEBAxB...	0.84-2	1.25	150X150	WRD84	FP/FM	Al
VT84DRWHBAxB...	0.84-2	1.25	200X200	WRD84	FP/FM	Al
VT150DRWEBAxB...	1.5-3.6	1.25	100X100	WRD150	FP/FM	Al
VT150DRWHBAxB...	1.5-3.6	1.25	150X150	WRD150	FP/FM	Al
VT200DRWEBAxB...	2-4.8	1.25	100X100	WRD200	FP/FM	Al
VT200DRWHBAxB...	2-4.8	1.25	150X150	WRD200	FP/FM	Al
VT250DRWEBAxB...	2.6-7.8	1.25	100X100	WRD250	FP/FM	Al
VT250DRWHBAxB...	2.6-7.8	1.25	150X150	WRD250	FP/FM	Al
VT350DRWEBAxB...	3.5-8.2	1.25	100X100	WRD350	FP/FM	Al
VT350DRWHBAxB...	3.5-8.2	1.25	100X100	WRD350	FP/FM	Al
VT475DRWEBAxB...	4.75-11	1.25	100X100	WRD475	FP/FM	Cu
VT475DRWHBAxB...	4.75-11	1.25	100X100	WRD475	FP/FM	Cu
VT500DRWEBAxB...	5-18	1.25	80X80	WRD500	FP/FM	Cu
VT500DRWHBAxB...	5-18	1.25	80X80	WRD500	FP/FM	Cu
VT580DRWEBAxB...	5.8-16	1.25	80X80	WRD580	FP/FM	Cu
VT580DRWHBAxB...	5.8-16	1.25	80X80	WRD580	FP/FM	Cu
VT650DRWEBAxB...	6.5-18	1.25	50X50	WRD650	FP/FM	Cu
VT650DRWHBAxB...	6.5-18	1.25	50X50	WRD650	FP/FM	Cu
VT750DRWEBAxB...	7.5-18	1.25	50X50	WRD750	FP/FM	Cu
VT750DRWHBAxB...	7.5-18	1.25	50X50	WRD750	FP/FM	Cu
VT700DRWEBAxB...	7-18.5	1.25	50X50	WRD700	FP/FM	Cu
VT700DRWHBAxB...	7-18.5	1.25	50X50	WRD700	FP/FM	Cu
VT1100DRWEBAxB...	11-26.5	1.25	30X30	WRD1100	FP/FM	Cu
VT1100DRWHBAxB...	11-26.5	1.25	30X30	WRD1100	FP/FM	Cu
VT1800DRWEBAxB...	18-40	1.3	30X30	WRD1800	FP/FM	Cu
VT1800DRWHBAxB...	18-40	1.3	30X30	WRD1800	FP/FM	Cu

*Indicates Model Number. See Ordering Information for complete part number.

**Legs (A,B) available in other sizes. Consult sales engineer for more information.



Section 1

Waveguide Components

【Ordering Information】

Example Part No: VT 100 DRWEB 40X40 P M A 45
Vector Telecom | WG Type: R100 | Bending Angle: 45° (90° as default)
Product Type: (DRWEB: Doble Ridged E-Bend, DRWHB: Doble Ridged H-Bend) | Material: A=Aluminum, C=Copper
WG Bend Dimensions: AXB=40X40mm | Flange 2 Type: FP | Flange 1 Type: FM

- Flange type: Multiple types available - see VT Flanges page
- Finish: Corrosion protection plus black top coat
- Bends other than 90 available on request

02

Waveguide Bend



VectorTelecomPtyLtd

Website: www.vectortele.com

Email: sales@vectortele.com