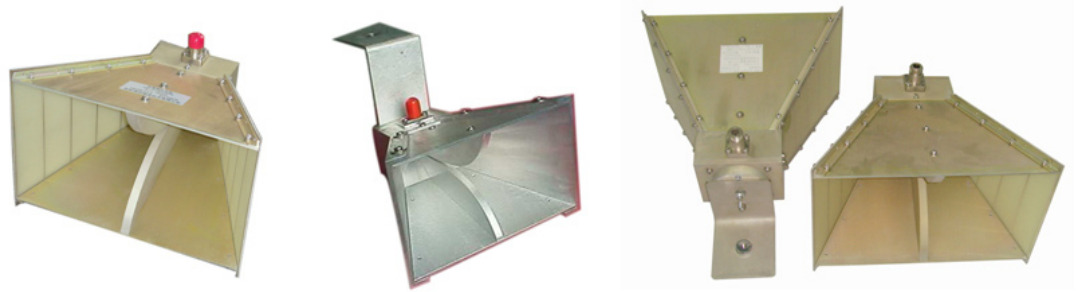
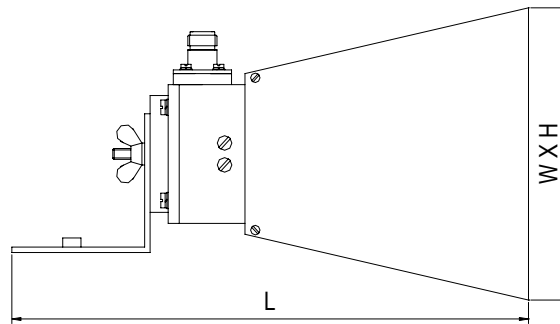


## 20 Wideband Horn Antenna



Vector Telecom manufactures a high quality line of dual-ridged horn antennas typically used for EMI testing, surveillance equipment, antenna gain and pattern measurement. Wideband dual-ridged horn antennas are linearly polarized with high Gain, low VSWR, lightweight, covering from 0.2GHz to 40GHz. Please contact us with your specification and discuss your needs with one of our sales engineers.



### 【Specifications】

Model No*	Freq Range (GHz)	Gain (dB)	3dB Beamwidth		VSWR (Max)	Dimensions (mm)			Input Coax Connector Type
			E-Plane	H-Plane		L	W	H	
VT10180DRHA10S...	1.0-18.0	8.2-14.6	30°-77°	23°-60°	2.5	284	160	245	SMA
VT10180DRHA10N...	1.0-18.0	8.2-14.6	30°-77°	23°-60°	2.5	284	160	245	Type N
VT80180DRHA10N...	8.0-18.0	10-12	21°-34°	21°-44°	2.5	114.5	63	53	Type N
VT80180DRHA10S...	8.0-18.0	10-12	21°-34°	21°-44°	2.5	114.5	63	53	SMA
VT180400DRHA15K...	18.0 - 40.0	9-15.6	17°-44°	18°-33°	2.5	100	42	57	K2.4mm

\*Indicates Model Number. See Ordering Information for complete part number.

**Example Part No:** VT 10180 DRHA 10 N K

Vector Telecom ——— J=Male, K=Female

Freq Rang:1-18GHz ——— Coax Connector Type: N=Type N, S=SMA, 2.92=K2.92mm

Product Type: Dual-Ridged Horn Antenna ——— Gain: 10dB (Avg)

- Flange type: Multiple types available - see VT Flanges page
- Finish: Corrosion protection plus black top coat

# 20

## Wideband Horn Antenna



Vector Telecom Pty Ltd

Website: [www.vectortele.com](http://www.vectortele.com)

Email: [sales@vectortele.com](mailto:sales@vectortele.com)