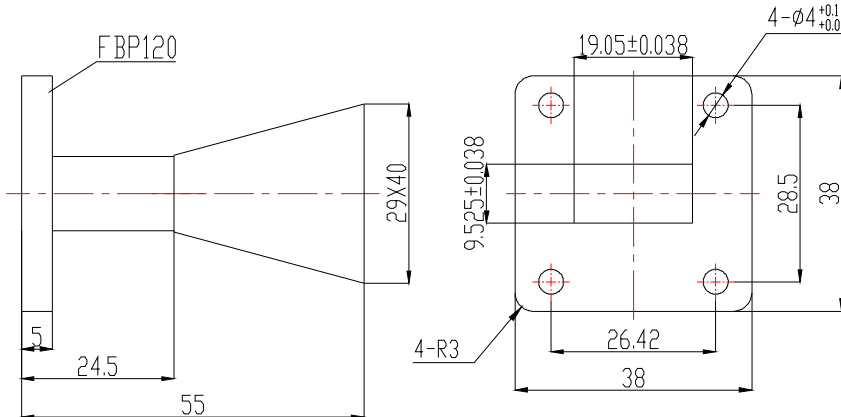


Standard Gain Horn Antenna

Part No: VT120SGAH10

1.0 Mechanical Specifications	
1.1	Waveguide type WR75
1.2	Flange type FBP120 (Cover)
1.3	Material Aluminum
1.4	Inside finish Chromate conversion
1.5	Outside finish Anticorrosion grey paint
2.0 Electrical Specifications	
2.1	Frequency Range 9.84-15 GHz
2.2	VSWR (Max) 1.25
2.3	Gain (Avg) 10 dB
3.0 Outline Drawings	
 <p>The drawing consists of two views: a side view on the left and a front view on the right. The side view shows a horn antenna with a total length of 55 units. The narrow end has a width of 24.5 units, and the wide end has a height of 29x40 units. A small section at the narrow end has a width of 5 units. The front view shows a square-like shape with a total width of 38 units and a total height of 38 units. The central opening has a width of 26.42 units and a height of 19.05±0.038 units. There are four mounting holes, each with a diameter of 4-0.01/0.07 units. The distance between the centers of the holes is 9.525±0.038 units. The corners of the front view are rounded with a radius of 4-R3.</p>	



Revision History

Date	Revision	Changes
05-Mar-2006	1	First release

Information furnished is believed to be accurate and reliable. However, Vector Telecom assumes no responsibility for the consequences of use of such information nor for any infringement of patents or other rights of third parties which may result from its use. No license is granted by implication or otherwise under any patent or patent rights of Vector Telecom. Specifications mentioned in this publication are subject to change without notice. This publication supersedes and replaces all information previously supplied. Vector Telecom products are not authorized for use as critical components in life support devices or systems without express written approval of Vector Telecom.

The Vector Telecom logo is a registered trademark of Vector Telecom Pty Ltd.

© 2006 Vector Telecom Pty Ltd - All rights reserved

Email: sales@vectortele.com

www.vectortele.com

Vector Telecom Pty Ltd

Level 40, 140 William Street, Melbourne VIC 3000, Australia
Tel: +61 3 9607 8357 - Fax: +61 3 9607 8282 - www.vectortele.com